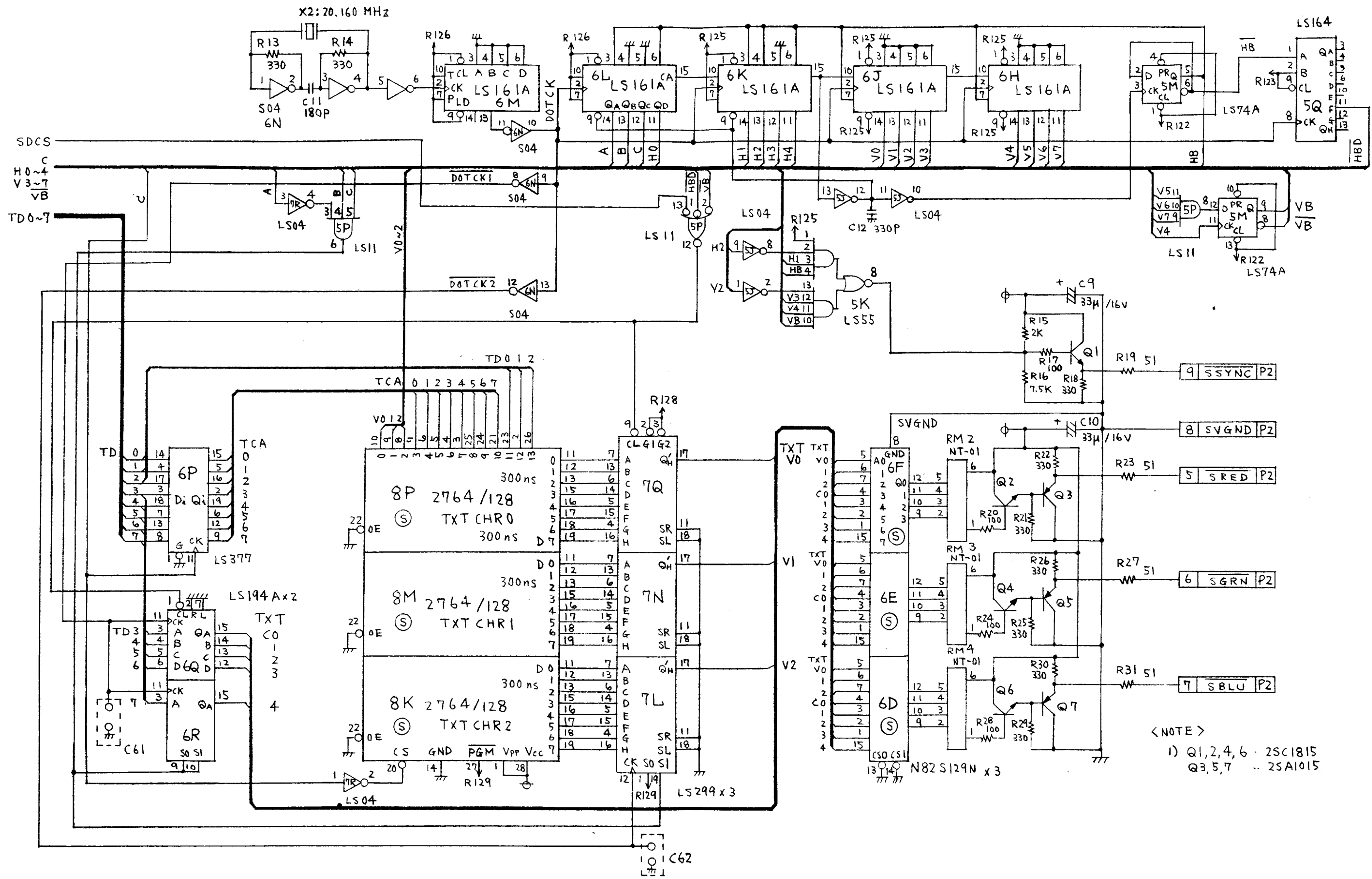
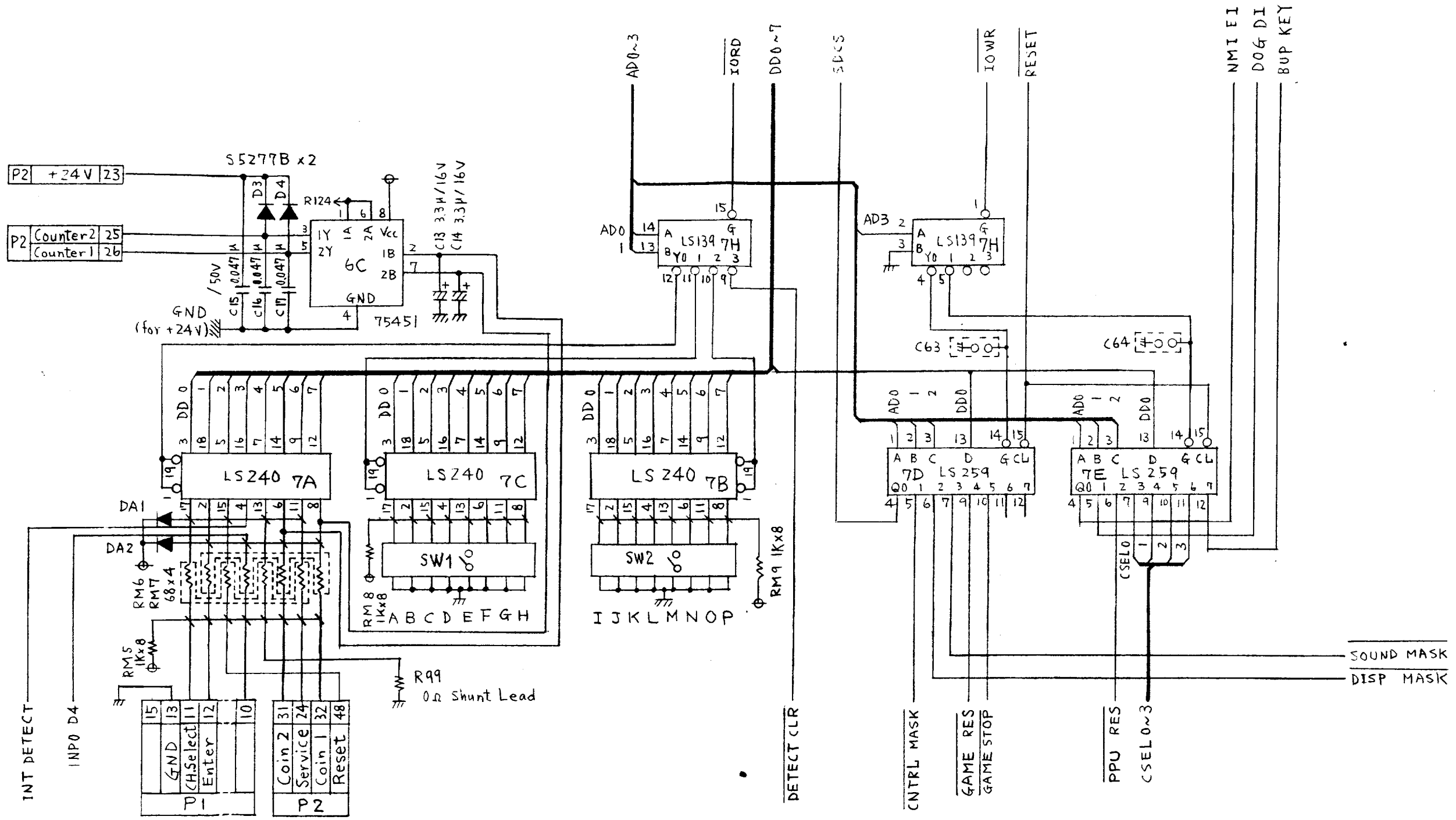
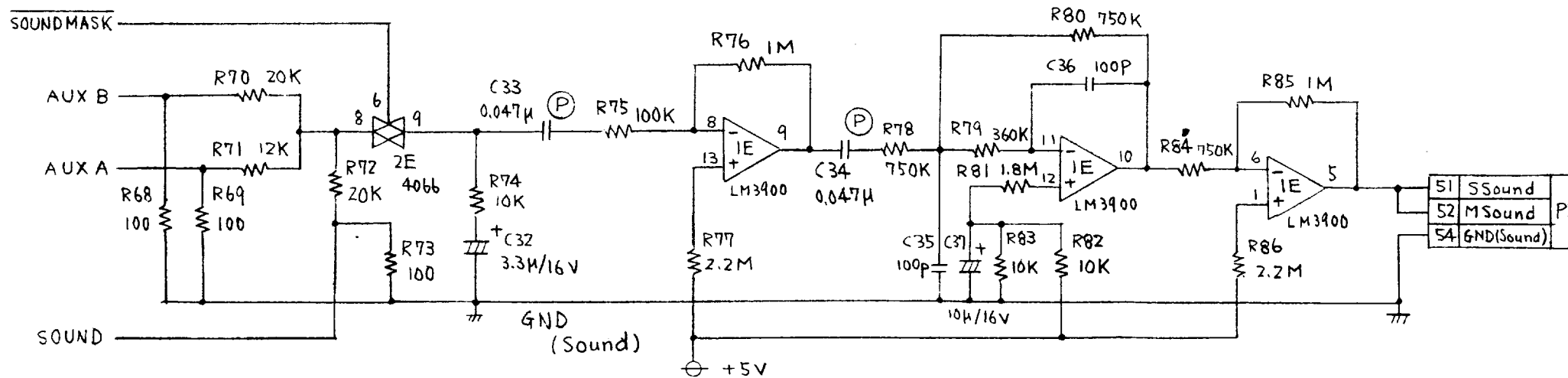
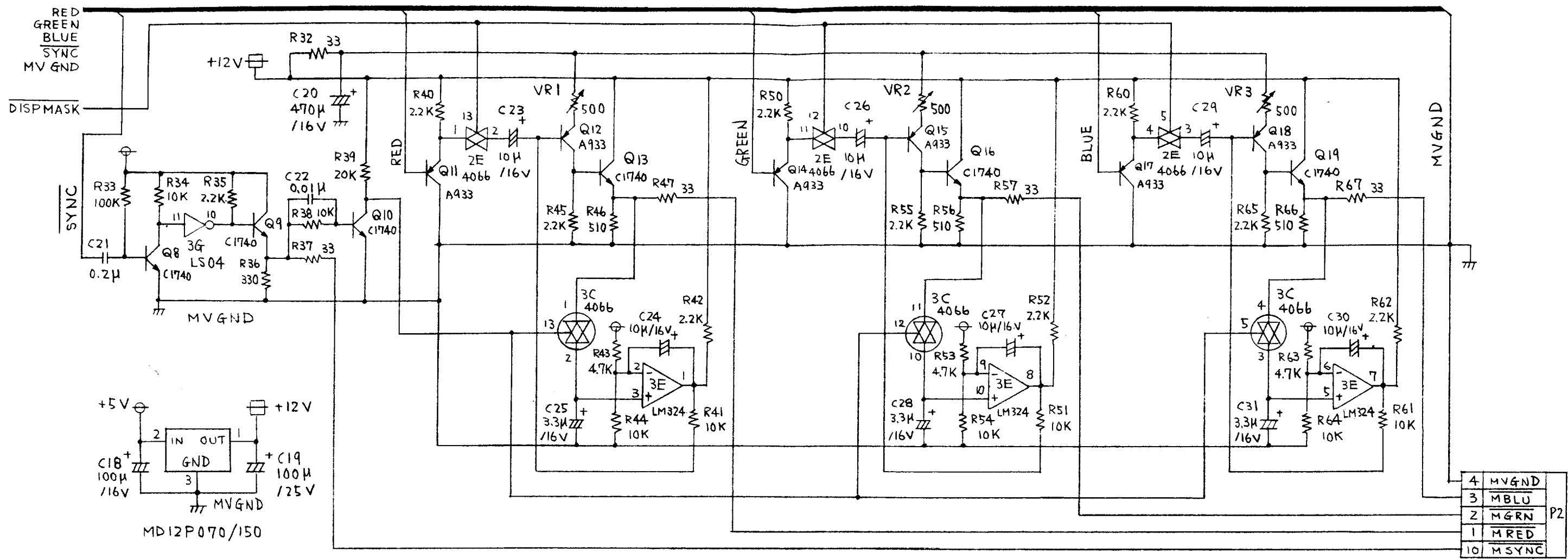


**A** PCH1-CPU SCHEMATIC  
Sheet 1  
©1986 Nintendo of America Inc.



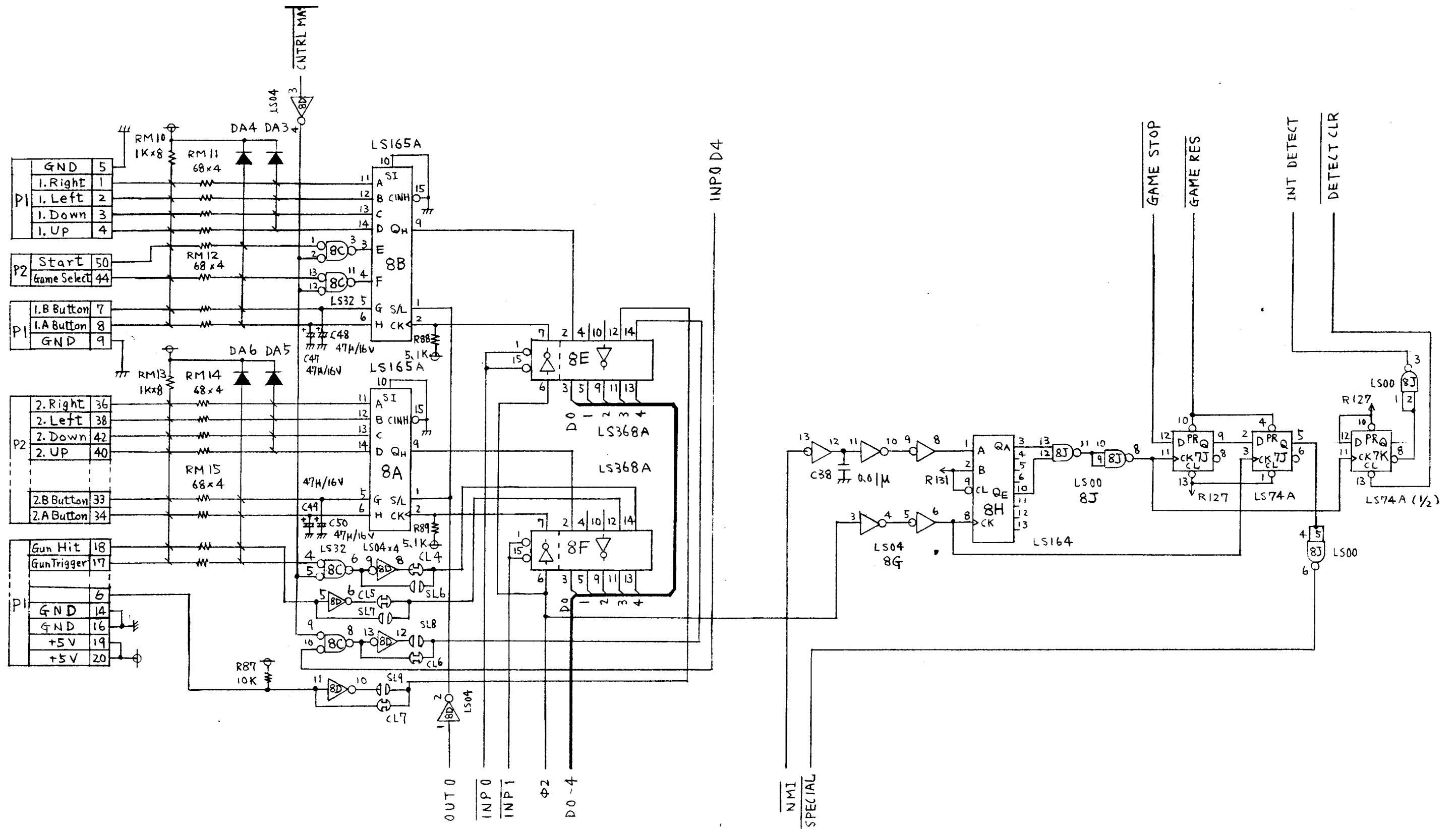
<NOTE>  
 1) Q1,2,4,6 - 2SC1815  
 Q3,5,7 - 2SA1015





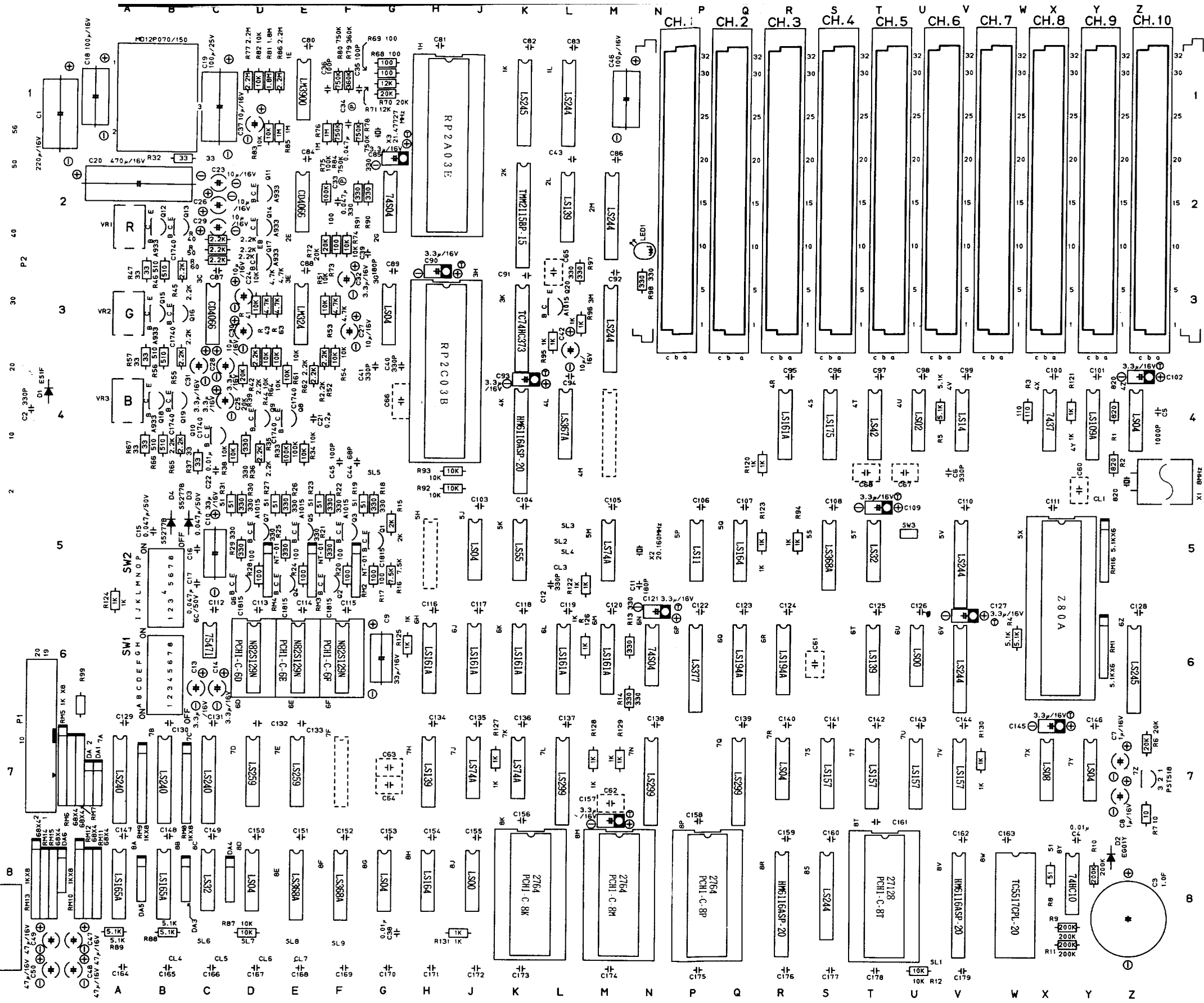
<NOTE>

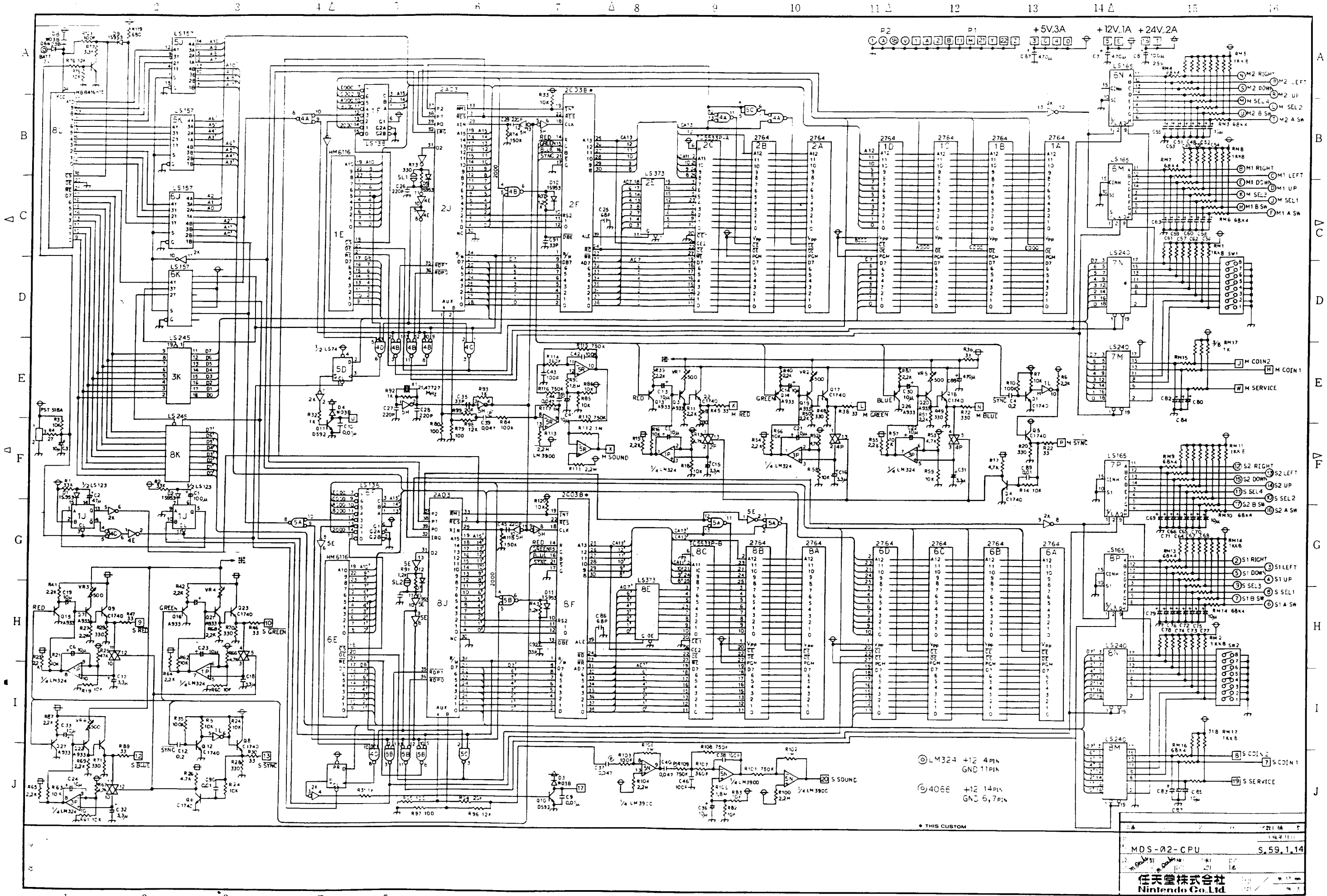
- 1) LM324 ... 11 pin GND  
4 pin +12V
- 2) ⊗ 4066 ... 7 pin GND  
14 pin +12V
- 3) ⊗ 4066 ... 7 pin GND  
& LM3900 ... 14 pin +5V





© 1986 Nintendo MADE IN JAPAN PCH1-01-CPU





○ LM324 +12 4PIN  
 GND 11PIN  
 ○ 4066 +12 14PIN  
 GND 6,7PIN

• THIS CUSTOM

MDS-02-CPU		S. 59, 1, 14
任天堂株式会社 Nintendo Co. Ltd.		